

absence of a receipt, the warranty period shall be 24 months from the date of manufacture.

ANY IMPLIED WARRANTIES, OBLIGATIONS, OR LIABILITIES, INCLUDING BUT NOT LIMITED TO THE IMPLIED WARRANTY OF MERCHANTABILITY AND FITNESS FOR A PARTICULAR PURPOSE, SHALL BE LIMITED IN DURATION TO THE 24 MONTH DURATION OF THIS WARRANTY.

IN NO EVENT SHALL CONAIR BE LIABLE FOR ANY SPECIAL, INCIDENTAL, OR CONSEQUENTIAL DAMAGES FOR BREACH OF THIS OR ANY OTHER WARRANTY, EXPRESS OR IMPLIED, WHATSOEVER.

This warranty gives you specific legal rights, and you may also have other rights which vary from province to province.

CONTAINS NICKEL METAL HYDRIDE BATTERY. MUST BE COLLECTED, RECYCLED OR DISPOSED OF PROPERLY. DO NOT DISPOSE OF IN THE MUNICIPAL WASTE.



This Class [B] digital apparatus complies with Canadian ICES-003.

Conair Consumer Products Inc.

100 Conair Parkway,
Woodbridge, ON L4H 0L2.

1-800-472-7606

©2013 Conair Consumer Products Inc.

www.conaircanada.ca

Consumer Call Centre E-mail :

Consumer_Canada@Conair.com

12CN137995

IB-11931

CONAIR®

2 IN 1 LADY RAZOR BIKINI TRIMMER



Have a Question?

Please do not return this product to the retailer.

Call Us First!

Our customer service and product experts are ready to answer ALL your questions.

Please call our TOLL-FREE customer service number at:

1-800-472-7606

or visit us online at

www.conaircanada.ca

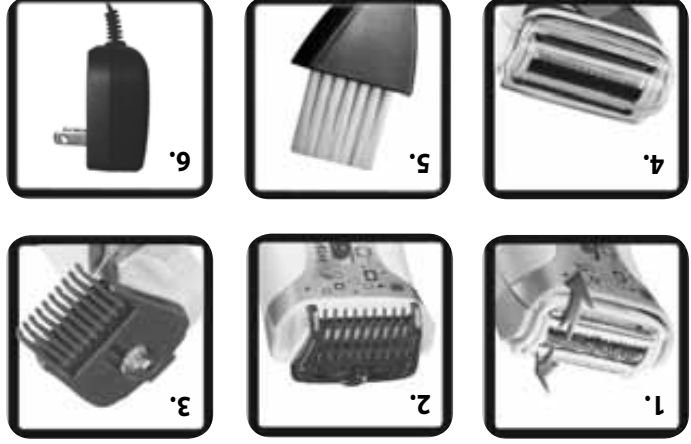
INSTRUCTIONS FOR CARE AND USE

MODEL LT280EC

sensitive areas or for a quick shave of your legs. The removable heads allow for easy cleaning.

DESCRIPTION

1. Rotating shaving head
2. Precision trimmer head
3. 1 cutting guide with 4 lengths (3-6-9-12mm)
4. Protection cap for the shaving head
5. Cleaning brush
6. Adapter



IMPORTANT INFORMATION REGARDING THE NI-MH BATTERIES OF THIS UNIT

To obtain and maintain the longest battery autonomy possible, allow it to charge for 16 hours before using it for the first time and then approximately every three months. Full autonomy of the unit will only be obtained after three complete recharge cycles.

INSTRUCTIONS FOR USE CHARGER

Before using trimmer for the first time, allow it to charge for 16 hours.

1. Plug the transformer into the mains and into the unit.
2. Make sure the charge light is on and that the trimmer switch is in the OFF position.
3. A fully charged razor and/or bikini trimmer will run for 30 minutes.

MAINS USE

Plug the trimmer into the mains and push the switch into the ON position.

PREPARING YOUR SKIN

Before beginning, check that your skin is perfectly clean and dry. Do not apply cream or moisturising milk. Exfoliate your skin prior to shaving to eliminate any dead cells from the skin and straighten all the hair.

1. SHAVING YOUR LEGS

Attach the shaving head to the Conair trimmer. Switch the unit on (ON button). Hold the trimmer at a right angle to the area to be shaved. Always work with both hands: gently pull your skin with one hand while holding the unit in the other. Move the trimmer slowly while pressing lightly. Careful not to press down too much on the unit as it will likely slow down and be less effective.

2. SHAVING SENSITIVE AREAS

If your hair is long (more than 1cm), we recommend using the trimmer head to trim it before using shaving head. Begin by moving the unit in an upward motion

to shave your underarms, then shave a second time using a downward motion. To shave the bikini line, gently pull the skin tight and move the unit from the outside in.

3. TO STYLE THE BIKINI AREA

The Conair trimmer has a cutting guide with 4 lengths that range from 3mm to 12mm. The shaving head lets you style the bikini area by making the desired adjustment to the hair length. Begin with the biggest length guide; it is important to become accustomed to using the different lengths.

You might then repeat the procedure with a shorter cutting guide. Turn the unit on (ON button).

Hold the unit at a slight angle to the skin and move slowly against the direction of growth. To finish the contours perfectly, use the shaving head

Caution: Do not apply perfume or deodorant to area for 24 hours after shaving.

IMPORTANT

Do not use the unit on open wounds, cuts, burns, verrucas, beauty spots, sunburns or varicose veins. Do not use on skin irritations or infections, like psoriasis or eczema. If you have any doubts about using this unit, consult your physician.

CLEANING AND MAINTENANCE

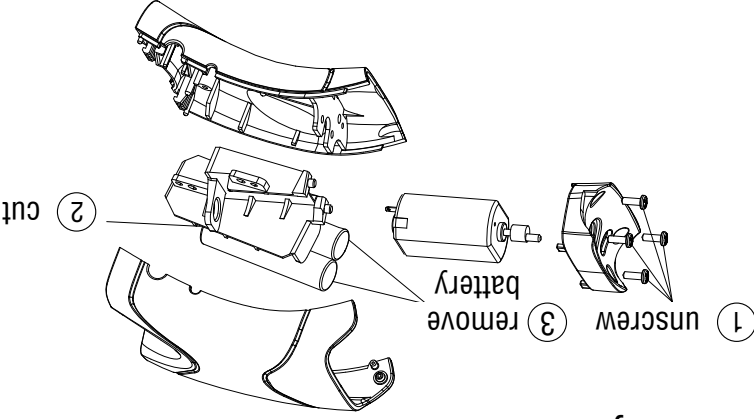
For maximum hygiene, the 2 removable heads and the precision guide can be washed in water. **CAUTION! The unit is not 'waterproof'.** Make sure the unit is turned off before removing the heads. To remove the shaving head, press upwards with your thumb on the notch intended for this. To reattach it, hold the sides of the head and push until

little brush.

you hear a click. To remove the trimmer head, press upwards using your thumbs. The blade can also be removed. Before storing, run all the accessories under water or brush them off when dry using the

BATTERY REMOVAL

1. Using a small Phillips head screwdriver, remove the screws at the front and bottom housing of the clipper.
2. Remove the PCB set and cut the battery out.
3. Bring the battery to the nearest collection centre for disposal or call the toll-free RBRC information line at 1-800-8-BATTERY. RBRC is a trademark of the The Rechargeable Battery Recycling Corporation. DO NOT throw the battery into the normal municipal waste system.



LIMITED TWO YEAR WARRANTY

Conair will repair or replace, at our option, your appliance free of charge for 24 months from the date of purchase if the appliance is defective in workmanship or materials.

To obtain service under this warranty, return the defective product to the service centre listed below together with your sales slip and \$7.50 for postage and handling. In the

IMPORTANT SAFETY INSTRUCTIONS

As with any electrical device, certain precautions must be taken in order to ensure your safety.

READ ALL INSTRUCTIONS BEFORE USING

DANGER – To reduce the risk of death or serious injury from electric shock:

1. Do not reach for an appliance that has fallen into water. Unplug immediately.
2. Do not use while bathing or in a shower.
3. Do not place or store appliance where it can fall or be pulled into a tub or sink. Do not place in or drop into water or other liquid.
4. Always unplug this appliance from the electrical outlet immediately after using.
5. Unplug this appliance before cleaning or changing head.

Warning – To reduce the risk of burns, fire, electric shock, or injury to persons:

1. Use this appliance only for its intended use as described in this manual. Do not use attachments not recommended by the manufacturer.
2. This appliance should never be left unattended when plugged in.
3. This product should not be used by, on, or near children or individuals with certain disabilities.
4. Never operate this appliance if it has a damaged cord or plug, if it is not working properly, if it has been dropped, damaged or dropped into water. Return the appliance to a service center for examination or repair.
5. Keep the cord away from heated surfaces. Do not wrap the cord around the appliance.

SAVE THESE INSTRUCTIONS

LADY RAZOR/BIKINI TRIMMER

For almost 25 years, Conair has been responding to the desires of women in hair removal. Your new trimmer is the fruit of advanced research at Conair. It combines a razor and a bikini trimmer for a perfect, gentle solution, adjusted to each one of you. Trimmer by has a 28mm trimmer head with a unique precision guide (4 settings) to style the bikini area, and a 36mm rotating shaving head that hugs the curves of your body perfectly eliminating shorter hair without any risk of cutting yourself, ideal for

6. Never drop or insert any object into any opening. Keep the air openings free of lint, hair and the like.
7. Never operate the appliance with the air opening blocked or while on a soft surface, such as a bed or a couch, where the air openings may be blocked.
8. Do not place appliance on any surface while it is operating.
9. Do not use outdoors or operate where aerosol spray products are being used or where oxygen is being administered.
10. When using this appliance with its cord, be mindful of tangles or kinks in the cord. If the cord does become tangled during use, turn the unit off and straighten cord before operating again.
11. Never use while sleeping.
12. Do not use an extension cord with this appliance.