

The
BARBER SHOP
- PRO SERIES -
Est. 1959
BY **CONAIR™**



Have a Question?

Please do not return this product to the retailer.

Call Us First!

Our customer service and product experts are ready to answer ALL your questions.

Please call our TOLL-FREE customer service number at: 1-855-926-6247 or visit us online at

www.conaircanada.ca

Instruction Booklet

For your safety and continued enjoyment of this product, always read the instruction booklet carefully before using.

Model SHV10C

IMPORTANT SAFETY INSTRUCTIONS

When using electrical appliances, especially when children are present, basic safety precautions should always be taken, including the following:

READ ALL INSTRUCTIONS BEFORE USING
KEEP AWAY FROM WATER

DANGER — Any appliance is electrically live, even when the switch is off. To reduce the risk of death or injury by electric shock:

1. Do not place or store appliance where it could fall or be pulled into a tub or sink.
2. Do not use appliance while bathing or in the shower.
3. Do not place appliance in, or drop into, water or other liquid.
4. If appliance has fallen into water, do not reach for it.

DO NOT REACH INTO THE WATER

WARNING — To reduce the risk of burns, electric shock, fire, or injury to persons:

1. This appliance is not intended for use by persons (including children) with reduced physical, sensory or mental capabilities, or lack of experience and knowledge, unless they have been given supervision or instruction concerning use of the appliance by a person responsible for their safety. Children should be supervised to ensure that they do not play with the appliance.
2. Use appliance only for its intended use as described in this manual. Only use attachments recommended by the manufacturer.
3. Never drop or insert any object into any opening of the appliance.
4. Do not place the appliance on any surface while it is operating.
5. Never operate the appliance with the air openings blocked or place appliance on a soft surface, such as a bed or couch, where the air openings

may be blocked. Keep the air openings free of lint, hair, an the like.

6. Do not use this appliance with a damaged or broken foil or cutter, as injury to skin may occur.
7. Do not use the appliance outdoors or where aerosol (spray) products are being used or oxygen is being administered. oxygen is being administered.

SAVE THESE INSTRUCTIONS OPERATING INSTRUCTIONS

IMPORTANT

This shaver has been engineered to give you a clean, close, smooth shave. It requires 2 AA batteries (not included). We recommend using longer-lasting alkaline batteries in your shaver. If you are not going to use your shaver for a long period of time or if the batteries are dead, remove or replace the batteries from the unit.

1. Remove the metal housing by sliding the release button over and pulling the cover off.
2. Align the 2 AA batteries with the positive and negative positions indicated inside the battery compartment. Being careful not to bend the springs, insert the negative end of each battery first so it will slip easily into place.
3. Return the metal housing by sliding it over the plastic inner housing until it clicks into place.
4. To use your shaver, push ON/OFF switch upward to the ON (I) position.
5. After you finish using your shaver, push down on the ON/OFF switch to turn the shaver OFF (O).
6. Remove the batteries if the batteries are no longer functional or if the shaver is left unused for an extended period of time.
7. Clean the battery contacts and also those of the device prior to battery installation.
8. Remove used batteries promptly.
9. Always purchase the correct size and grade of battery most suitable for the intended use.

10. Replace all batteries of a set at the same time.
11. Do not mix old and new batteries. Do not mix alkaline, standard (carbon-zinc), or rechargeable (nickel cadmium or nickel metal hydride) batteries.

ON/OFF SWITCH

To operate, simply slide switch to the ON (I) position. To stop operation, set to the OFF (O) position.

BASIC INSTRUCTIONS FOR USE

1. Men whose skin is sensitive or easily irritated by shaving, or who suffer from a skin allergy, should test one section on the leg or arm before using the shaver.
2. Remove the protective cover and turn on the unit to start shaving. Hold the shaver at a right angle to the area of your face that you want to shave and run the single shaving foil carefully along your skin. Tip: In general, we recommend that you shave against the direction of hair growth, as this is the best way to trim the hair. Pull your skin tight, with your fingers in inaccessible areas, to achieve optimum results.
3. Switch the shaver off each time after shaving and clean it.
4. Do not push the shaver on the skin too hard as it could cause irritation, make the shaver warm and prevent a perfect shave.
5. Please note that it takes 2 to 4 weeks for your skin to adapt to a shaver, so please do not change shaving instruments in this period of time.
6. If hair is longer than 1/32" begin by cutting the hair down first with a trimmer, then use shaver for a smooth close finish.

USER MAINTENANCE INSTRUCTIONS

TAKING CARE OF YOUR SHAVER

Do not remove the shaving foil unit while the shaver is switched on. Always switch the shaver off!

Ensure that no water gets into the inside of the shaver to avoid the risk of an electric shock when it is back in operation.

Never press on the cutting blades or the shaving foil and do not touch them with hard objects as this can cause irreparable damage to the shaver or parts.

Be careful when dealing with the blades, as they are very sharp. Risk of injury! When cleaning, do not apply any detergents or scouring agents and do not use any abrasive or sharp objects. They can cause irreparable damage to the shaver.

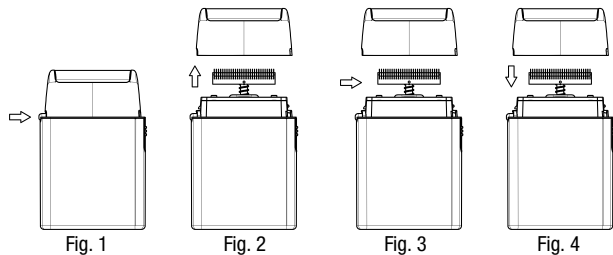
NOTE: When cleaning your shaver, make sure the unit is turned off.

CAUTION!

- DO NOT run shaver or cutters under water. Use only the small brush (included) to clean.
- To clean the external surfaces of the shaver, use a damp cloth. Do not use strong detergents or other chemicals.
- To dry, wipe the surface of the shaver with a dry towel. Do not use a hair dryer or heater to dry the shaver.
- The shaver should not be used until it has completely dried.

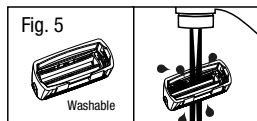
Daily Maintenance:

1. Press the release button on the side of shaver and remove the head assembly (see Fig. 1 & 2).
2. Use cleaning brush to whisk away any debris on and around cutter (see Fig. 3).
3. Snap the head assembly closed (see Fig. 4).



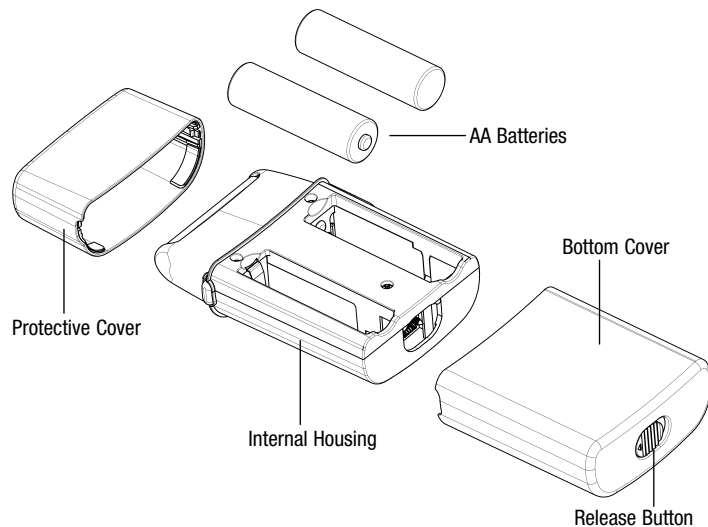
Weekly Maintenance:

1. Repeat steps 1 – 3 from the Daily Maintenance cleaning steps.
2. Rinse the head of the shaver under running water (see Fig. 5). NEVER submerge the shaver in water.
3. Leave head open for drying.
4. Press the shaver head back into place (see Fig. 4).

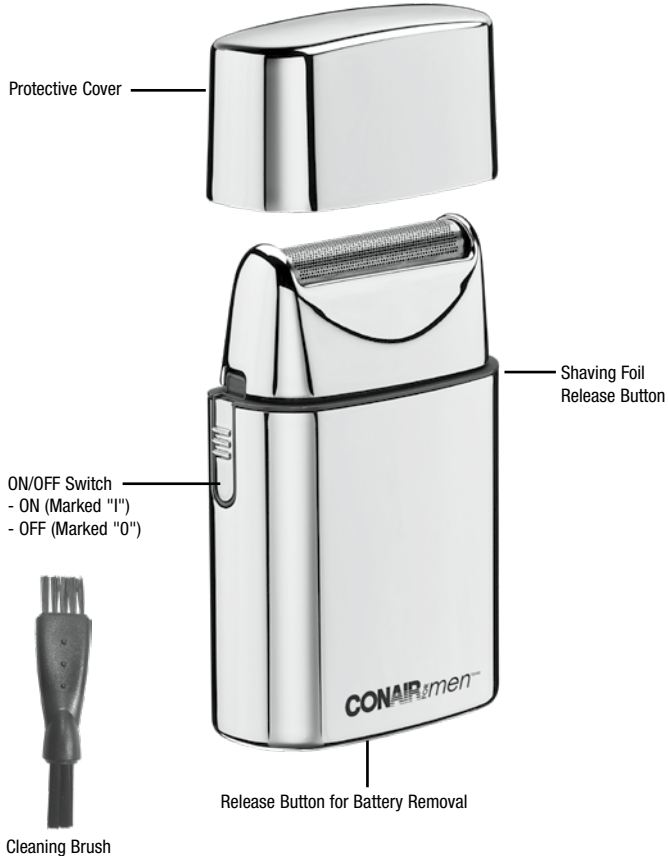


BATTERY REMOVAL

1. Remove the metal housing by sliding the release button over and pulling the bottom cover off.
2. Remove batteries by pulling them out and away from battery contacts.
3. Dispose used batteries.



METAL FOIL SHAVER



LIMITED TWO-YEAR WARRANTY (U.S. AND CANADA ONLY)

Conair will repair or replace (at our option) your unit free of charge for 24 months from the date of purchase if the appliance is defective in workmanship or materials.

To obtain service under this warranty, return the defective product to the service centre listed below, together with your purchase receipt and \$5.00 for postage and handling. In the absence of a purchase receipt, the warranty period shall be 24 months from the date of manufacture.

ANY IMPLIED WARRANTIES, OBLIGATIONS, OR LIABILITIES, INCLUDING BUT NOT LIMITED TO THE IMPLIED WARRANTY OF MERCHANTABILITY AND FITNESS FOR A PARTICULAR PURPOSE, SHALL BE LIMITED IN DURATION TO THE 24 MONTH DURATION OF THIS WRITTEN, LIMITED WARRANTY.

IN NO EVENT SHALL CONAIR BE LIABLE FOR ANY SPECIAL, INCIDENTAL, OR CONSEQUENTIAL DAMAGES FOR BREACH OF THIS OR ANY OTHER WARRANTY, EXPRESS OR IMPLIED, WHATSOEVER.

This warranty gives you specific legal rights, and you may also have other rights, which vary from province to province.

**SERVICE CENTRE:
CONAIR CONSUMER PRODUCTS ULC**

100 Conair Parkway

Woodbridge Ontario, L4H 0L2

©2020 CONAIR CONSUMER PRODUCTS ULC

For more information on any Conair product call:

1-855-926-6247

Visit our Web site: www.conaircanada.ca

Consumer Call Centre E-mail:

Consumer_Canada@Conair.com

20CN074729

IB-16950